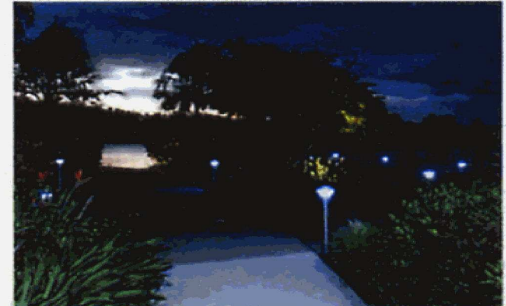
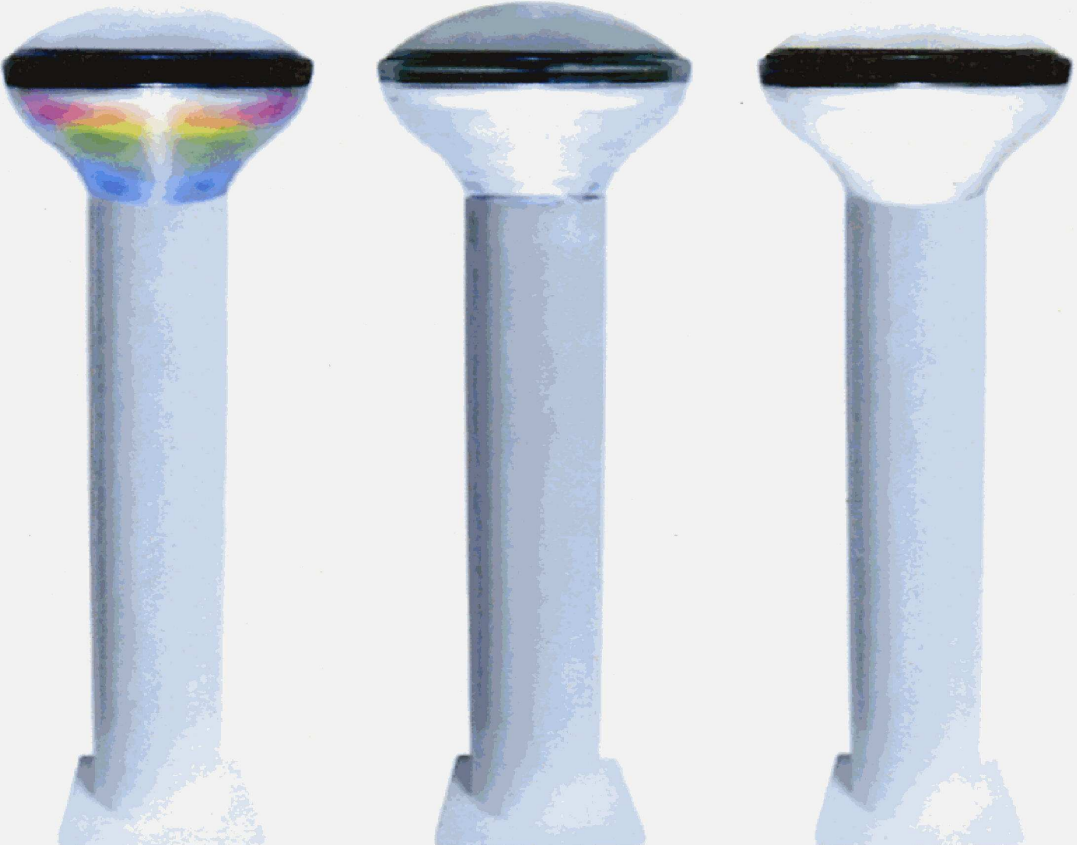


# BOLLARD LIGHT

EXlites new heavy duty but aesthetically pleasing range of both high brightness SOLAR LED and PL COMPACT versions of their commercial, low maintenance bollards.



• Vandal Resistant • UV Resistance • Super Bright



Colour Changer Spectrum Range

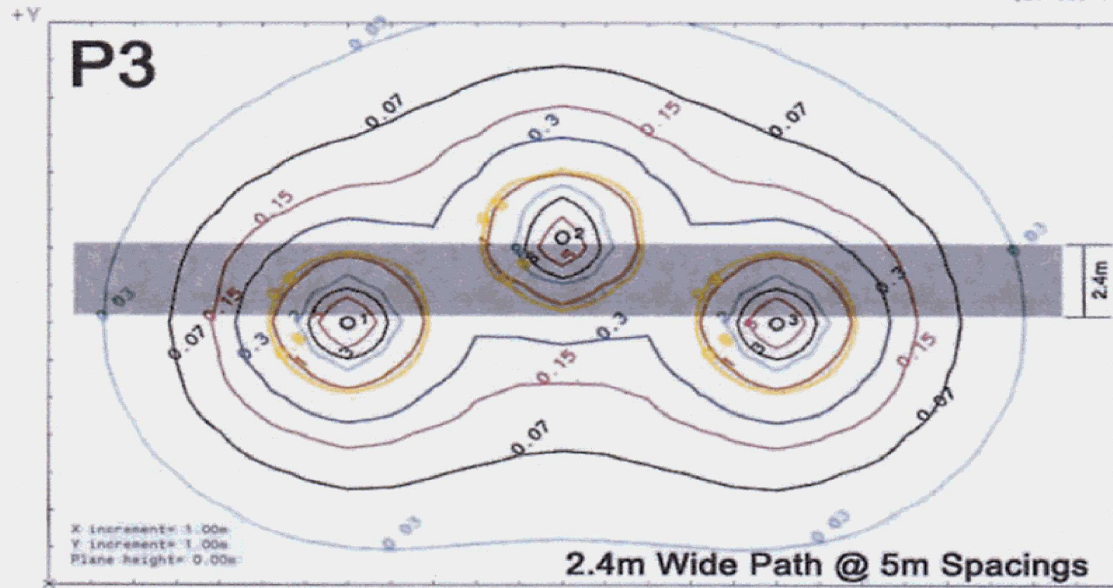
PRODUCT	"P3" 2.4m Wide Path	"P4" 2.4m Wide Path
Solar LED (Recommended Spacings)	4m Staggered	6m Single Sided
11watt PL Compact		

SPECIFICATIONS SOLAR	
Warranty	5 Years Limited (excludes battery 1 year only)
Solar Panels	12volt Mono-Crystalline Round
Battery	12volt Silicone "Green"
Composition	Makralon PC
IC Boards	Hard Silicon Coating for water resistance
Illumination	9 x 20,000mcd LED @ 80mAH combined
added UV Protection	Secret Formula

OPERATION OF SOLAR	
Minimum Autonomy	> 30 Hours
Peak Sun Hours to Maintain Full Charge	> 5 Hours

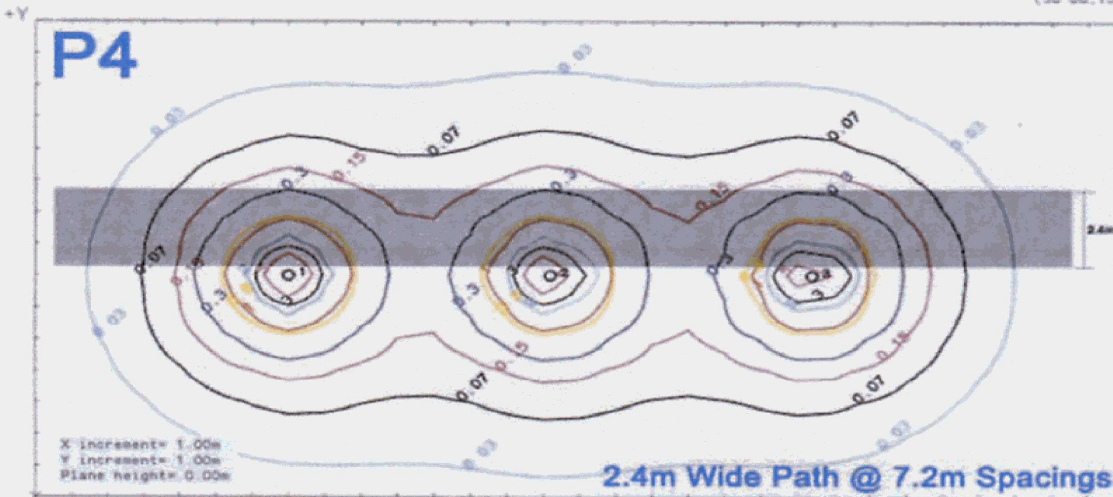
- FEATURES**
- Nata Tested Photometrics
  - Easy Installation
  - Immediate Delivery
- IDEAL FOR**
- Pathways
  - Park and Recreation Areas
  - Marina's and Jetties
  - Mining
  - Pool Areas
  - Handrail Lighting
  - Marked Entrance ways
  - plus many more
- OPTIONS**
- Fixed Colour LED heads
  - Free standing possible for some items
  - Free standing possible for some items
  - Preassembly with Crimsafe securia key system

(25 00, 15 00)



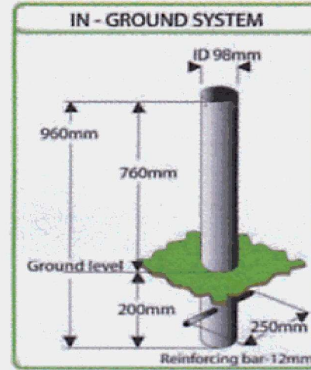
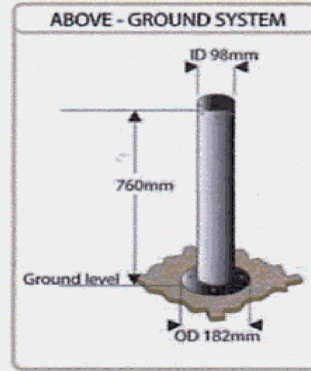
(0 00, 0 00)

(30 00, 15 00)



(0 00, 0 00)

(30 00, 15 00)

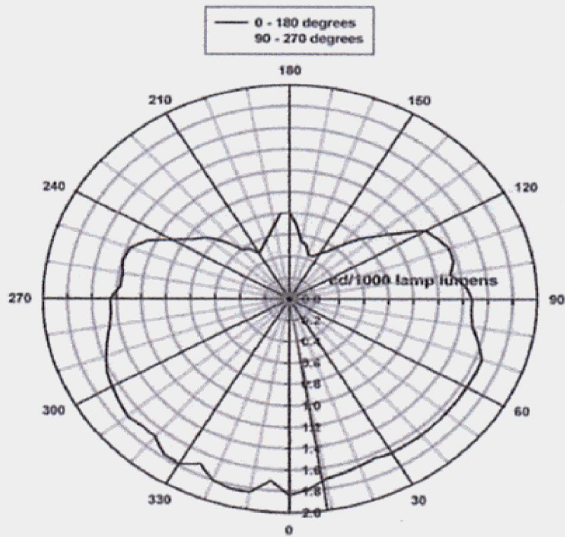


**SPIRAL WELDED PIPE**

**Benefits:**

- Superior quality
- Strong +
- Durable
- Aesthetically pleasing
- Cost effective

+ Spiral welded pipe has 3 times the tensile strength of shed pipe.



Extra Strong Design

NATA Photometric Charts Above Supplied By Greenplate Pty Ltd and EXLites Pty Ltd takes no responsibility for their accuracy

**PBC Solar Power**  
Natures Power to Power Your Home

**Paul Cole**  
Mob: 0414891412  
pco30992@bigpond.net.au